

CLARKE®



WORKBENCH

MODEL NO: CWB300

Part No: 7637872

ASSEMBLY INSTRUCTIONS

GC0416

INTRODUCTION

Thank you for purchasing this CLARKE workbench.

Before attempting to use this product, please read this manual thoroughly and follow the instructions carefully. In doing so you will ensure the safety of yourself and that of others around you, and you can look forward to your purchase giving you long and satisfactory service.

SPECIFICATION

Model	CWB300
Dimensions (L x W x H)	1500 x 750 x 895 mm
Weight	21.7 kg
Maximum rated load	300 kg

GUARANTEE

This CLARKE product is guaranteed against faulty manufacture for a period of 12 months from the date of purchase. Please keep your receipt as proof of purchase.

This guarantee is invalid if the product is found to have been abused or tampered with in any way, or not used for its intended purpose.

Faulty goods should be returned to their place of purchase, no product can be returned to us without prior permission.

This guarantee does not effect your statutory rights.

SAFETY PRECAUTIONS

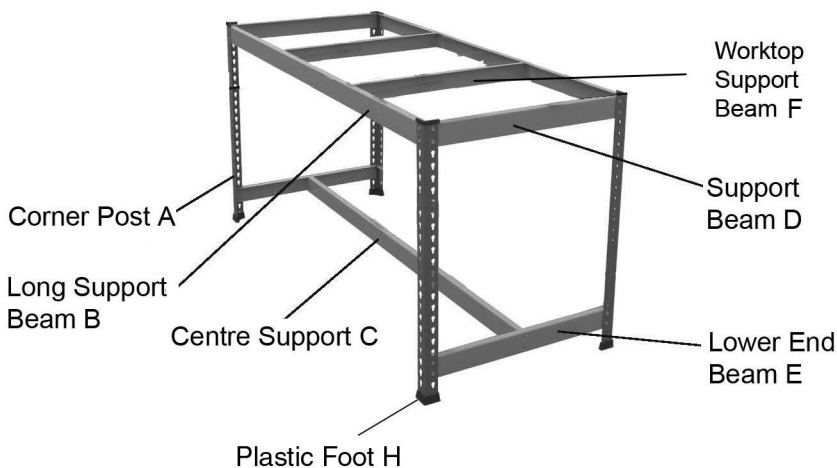
1. Always read these instructions before use.
2. Always wear protective gloves when assembling the workbench.
3. It is recommended that the assembly be done by two persons.
4. Not following these instructions could result in the workbench falling over, causing damage to equipment and personal injury.
5. Never carry out any alterations or modifications to this product or use the workbench for a purpose for which it was not intended.
6. Never allow children to climb on the workbench.
7. Always ensure the load is positioned centrally and evenly distributed.
8. If replacing parts, only use those supplied by Clarke International.
9. Do not exceed the maximum rated load of 300kg as shown on the warning label.
10. Only use on a flat, level surface capable of supporting the workbench and its maximum load.
11. Always ensure you are working on a firm flat surface, and that the workbench is completely stable.
12. Take care when placing a heavy load on to the bench. It should be placed gently so that the strain is taken up gradually.
13. Always keep the work areas clean and well lit.
14. Check for damaged parts before using the workbench. Any part that appears damaged should be carefully checked to determine that it will perform its intended function. Replace any damaged parts as soon as possible.
15. Keep these instructions in a safe place for future reference.

UNPACKING & INVENTORY

When unpacking, check for damaged or missing parts. Any deficiencies found should be reported to your CLARKE dealer where the product was originally purchased.

Do not dispose of damaged components or packaging with general household waste. They should be taken to a recycling centre and disposed of appropriately. This product should include the following;

:



No	Description	Quantity
A	Corner Post	4
B	Long Support Beam	2
C	Centre Support	1
D	Short Support Beam	2
E	Lower End Beam	2
F	Worktop Support Beam	2
G	Worktop Panel (see front cover picture)	1
H	Plastic Foot	4

ASSEMBLY

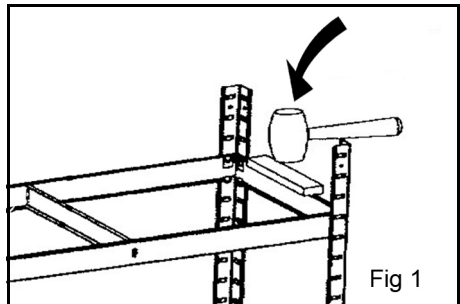
TOOLS REQUIRED

- Rubber mallet or hammer
- Protective cloth/wood block

ASSEMBLY INSTRUCTIONS

1. Assemble on a firm, level surface. Avoid assembly on a domestic carpet.
2. Always ensure that the tabs sit at the bottom of the slots.
3. It is recommended that the assembly should be done by two persons.

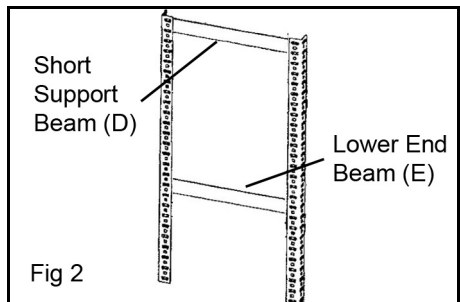
4. Use a cloth or softwood block to protect the surface finish of the product when using a mallet.
5. The tabs of the beams will often enter the slots fully using just firm hand pressure but if they are too tight, you may require a rubber mallet to assist. If so, always use a cloth to protect the product paint finish.



6. Tap gently with the mallet to drive the tabs of the beams fully into the slots in the corner post. Always strike the edge close to the post.
7. Decide how high you want the lower beams to be, relative to the floor, noting that the lower beams should never be more than half height from the bottom of the corner posts.

8. Use the short support beams (D) to connect the front and rear corner posts (A) together. Ensure the support beam (D) is in the highest possible position.

NOTE: The beam edge with the wider flange should be installed uppermost to support the worktop.



9. Add the lower end beam (E) with the two connecting slots). Repeat this again for the other end assembly, making sure that the corresponding lower end beams are at the same height.

10. Use the long support beams (B) to connect the two end assemblies together as shown in Fig 3.

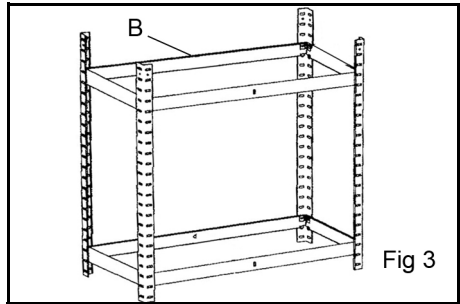
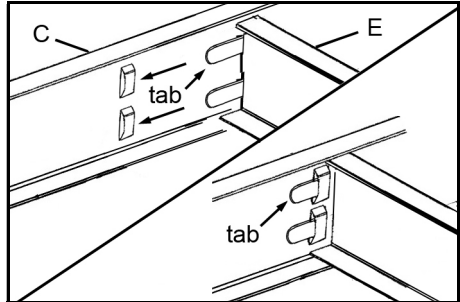
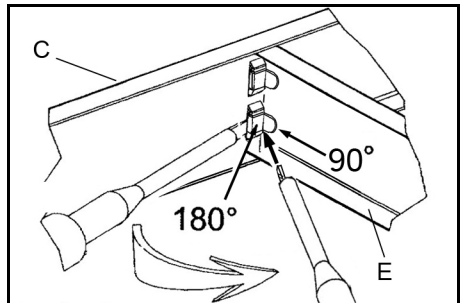


Fig 3

11. Add the worktop support beam (F), by bending the flexible tabs to 90 degrees and slotting them into place as shown in Fig 4.



12. Finally bend the tabs back 180 degrees to lock securely as shown in Fig 5.



13. Connect the centre support (C) to the lower end beams (E) by bending the flexible tabs to 90 degrees and slotting them into place as shown in Fig 6. Finally bend the tabs back 180 degrees to lock in place.

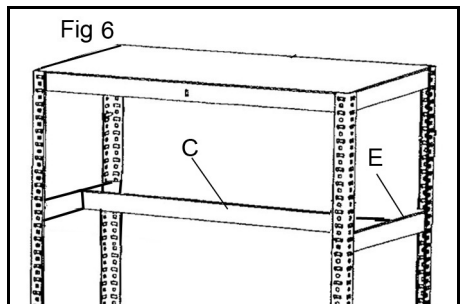
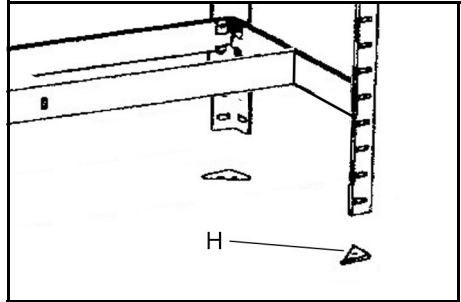


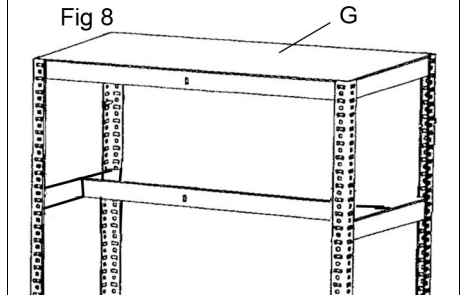
Fig 6

14. Fit the bench onto the plastic feet.



15. Lay the worktop panel (G) into position on the support beams.

- Always fit the worktop at the highest possible position.



SPARE PARTS

In the event of damage, spare parts are available from the Clarke International parts department.

A SELECTION FROM THE VAST RANGE OF

Clarke®

QUALITY PRODUCTS

AIR COMPRESSORS

From DIY to industrial, Plus air tools, spray guns and accessories.

GENERATORS

Prime duty or emergency standby for business, home and leisure.

POWER WASHERS

Hot and cold, electric and engine driven - we have what you need

WELDERS

Mig, Arc, Tig and Spot. From DIY to auto/industrial.

METALWORKING

Drills, grinders and saws for DIY and professional use.

WOODWORKING

Saws, sanders, lathes, mortisers and dust extraction.

HYDRAULICS

Cranes, body repair kits, transmission jacks for all types of workshop use.

WATER PUMPS

Submersible, electric and engine driven for DIY, agriculture and industry.

POWERTOOLS

Angle grinders, cordless drill sets, saws and sanders.

STARTERS/CHARGERS

All sizes for car and commercial use.



PARTS & SERVICE: 0208 988 7400

E-mail: Parts@clarkeinternational.com or Service@clarkeinternational.com

SALES: UK 01992 565333 or Export 00 44 (0)1992 565335

Clarke INTERNATIONAL Hemnall Street, Epping, Essex CM16 4LG
www.clarkeinternational.com